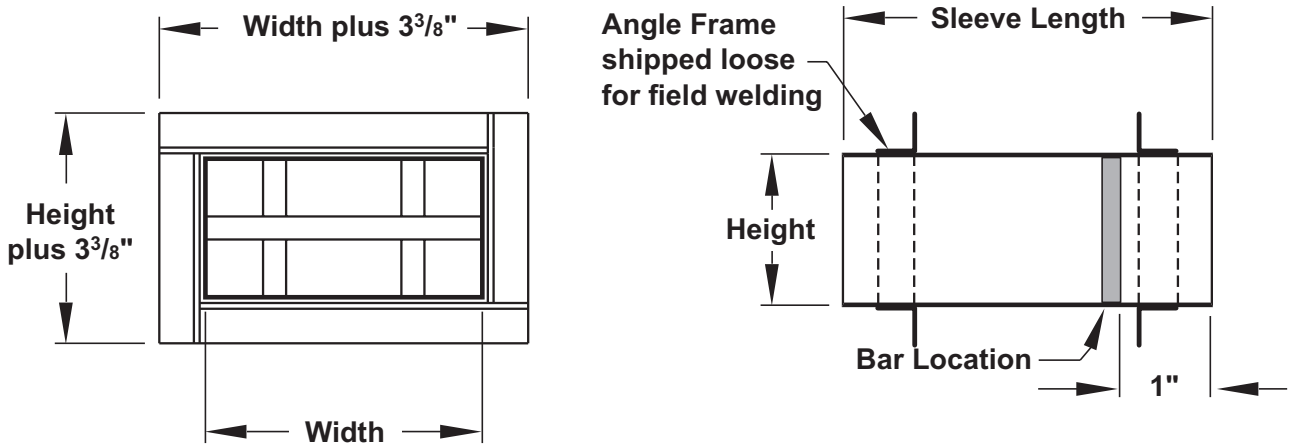


SG-BG-SLV UNIT DIMENSIONS

SG-BG-SLV



Dimensions Available	
Width:	6 to 30"
Height:	4 to 30"
Sleeve Length:	4 to 18" in 1" increments

Notes:

For standard product, width and height should be specified in even 1" increments.

Typical mounting is accomplished by using an angle frame (1½" x 1½" x 3/16") shipped loose for field welding.